

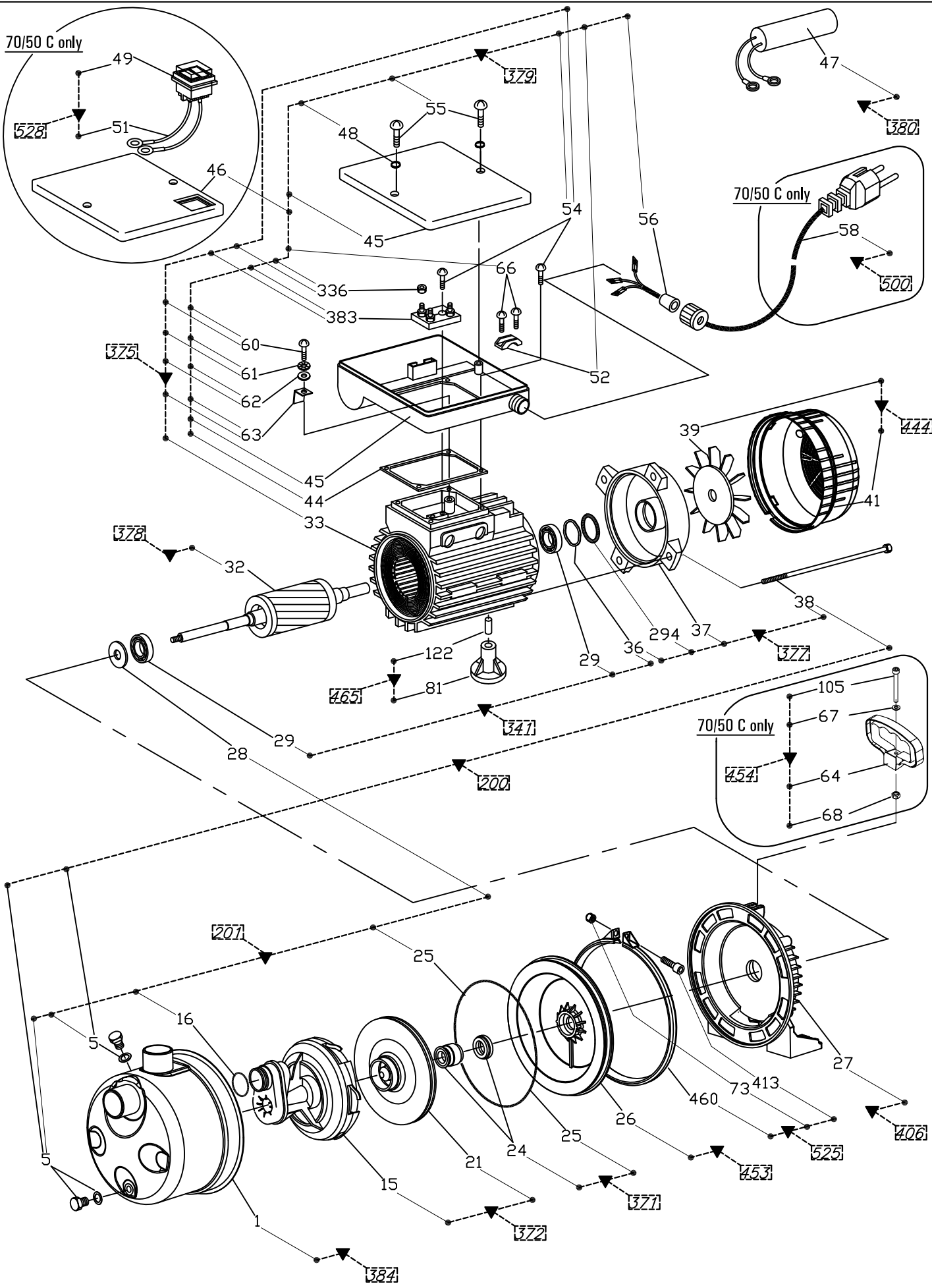
Pentair Water Italy S.r.l.
Via Masaccio, 13
56010 Lugnano (PI)
ITALY

Drawn C.Vaglini
Approved M.Bernacca

Title Jetinox
Date (dd/mm/yy) 08/06/2009

Dwg # DR950009_01

Sheet 1 of 1



PENTAIR Pentair Water Italy S.r.l. Via Masaccio,13 56010 Lugnano (PI) ITALY	Drawn	Vaglini	Title	JETINDEX 70/50	Sheet	1 of 1
	Approved	M.Bernacca	Date (dd/mm/yy)	04-04-11	Dwg #	DR110004_01

This drawing is the absolute property of Pentair Water Italy S.r.l. It may not be reproduced in any form without the written permission of Pentair Water Italy S.r.l.