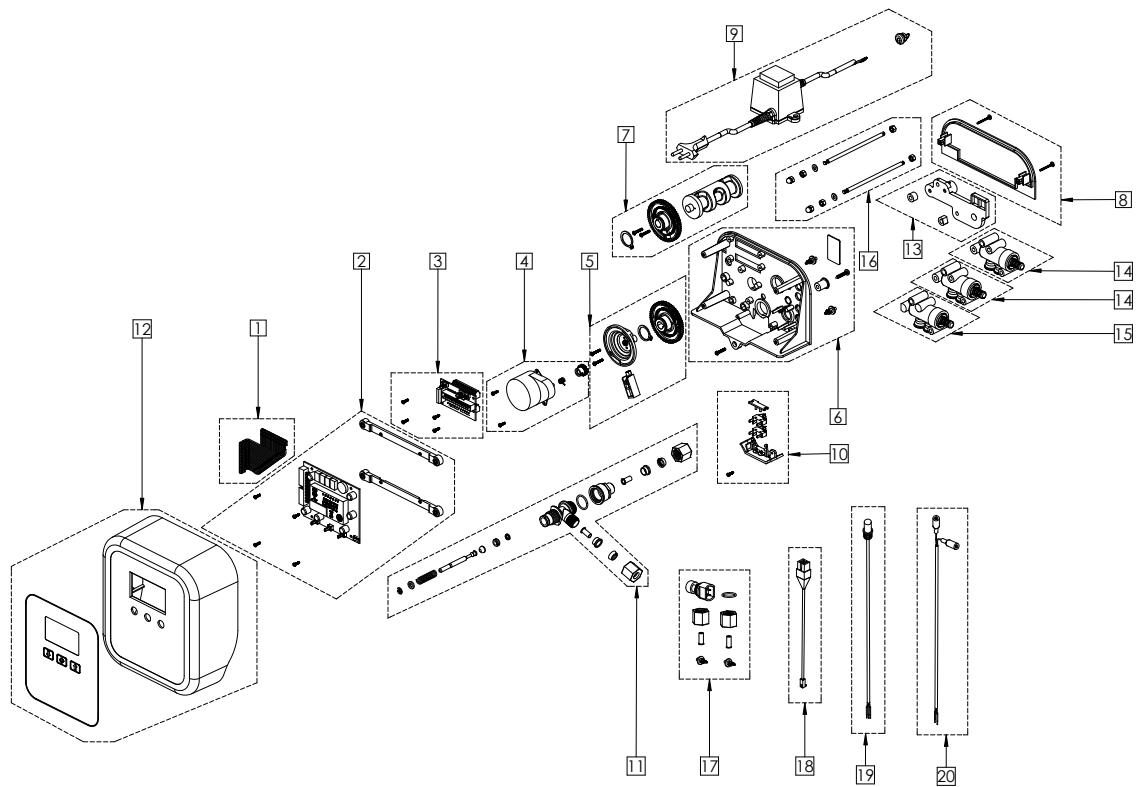




SFE-EV TIMER CONTROLLER

SPARE PARTS



SFE-EV timer spare parts

| Item | Reference | Description |
|------|--------------|--|
| 1 | K-10047 | Kit motherboard for SFE-EV w/ flat cable |
| 2 | K-10025/01 | Kit electronic board flat-SFE-EV w/frame & screws |
| | K-10025-C/01 | Kit electronic board SFE-EV chlorine w/frame & screws |
| | K-10145/01 | Kit electronic board SFE-EV Viridion w/frame & screws |
| | K-10145-C/01 | Kit electronic board SFE-EV Viridion chlorine w/frame & screws |
| 3 | K-10048 | Kit interface board SFE-EV w/o flat cable |
| 4 | 94-R7K/05 | Kit motor. 1g/1" 12V 50Hz |
| 5 | K-10001 | Assy cam driver |
| 6 | K-10003 | Black bracket assy |
| 7 | 2221-215/05 | Kit assy external pilot w/215 cam |
| | 2221-328/05 | Cam 3 pilots w/gear |
| | 2229-1/05 | Cam asimetric kit Viridion TP |
| 8 | K-10008 | Back cover with spacer and screw assy |
| 9 | K-10009 | Transformer 230/11,5 VAC 0,6 with strain |
| 10 | 88-NL2/05 | Microswitch with black blocking plate |
| 11 | K-10004 | Brine valve assy 1 gpm |
| 12 | K-10002/01 | Black box w/cover standard |
| | K-10002/02 | Kit black box with cover Viridion |
| 13 | 433-KNM/05 | Camshaft black backplate kit |
| 14 | 2253-BMN/05 | Kit pilot halfway position quick connection - black |
| 15 | 2253-AMN/05 | Kit ext pilot black with blind holes (1st pilot) |
| 16 | 468-K2 | Coupling bar for 2 external drivers |
| | 468-K3 | Coupling bar for 3 external drivers |
| 17 | K-10146 | Kit for SFE-EV TP + conductivity probe |
| | K-10147 | Kit for SFE-EV external pilot + conductivity probe |
| 18 | K-10148 | Kit SFE-EV Viridion conductivity harness 500mm |
| 19 | K-10110 | Kit meter cable 50cm for back connector |
| 20 | K-10111 | Chloride cell cable for back connector |