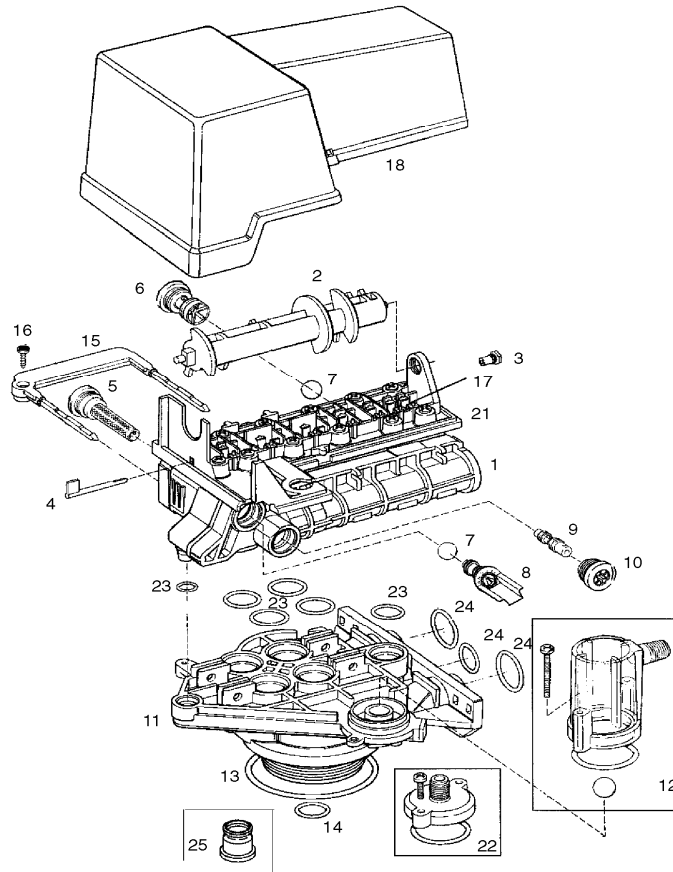


440i/460i controller

Item	Old part number	Reference	Description	Packing qty
1		1000232	Valve assy w/o flow controls	1
2		1031950	Camshaft standard one piece	1
		1033025	Camshaft extra salt/long rinse segmented	1
		1033026	Camshaft long rinse segmented	1
3		3019873	Lever, locking cam, 255	1
4		1031391	Timer locking pin	1
5		1000226	Screen/cap assy with O-ring	1
6		Drain control assy with O-ring:		
		1000209	No. 7(1.2 gpm; 4.5 lpm)	1
		1000210	No. 8(1.6 gpm; 6.1 lpm)	1
		1000211	No. 9(2.0 gpm; 7.6 lpm)	1
		1000212	No. 10(2.5 gpm; 9.5 lpm)	1
		1000213	No. 12(3.5 gpm; 13.2 lpm)	1
		1000214	No. 13(4.1 gpm; 15.5 lpm)	1
		1000215	No. 14(4.8 gpm; 18.2 lpm)	1
7		1030502	Flow control ball	1
8		1034261	Brine refill control 1 to 10 lbs salt	1
		1034263	Brine refill control 1 to 19 lbs salt	1
9		1032970	A injector - white	1
		1032971	B injector - blue	1
		1032972	C injector - red	1

255 SPARE PARTS



440i/460i controller

Item	Old part number	Reference	Description	Packing qty
10		1000269	Injector cap with O-ring	1
11		1033784	Tank adapter assy	1
12		1032417	Air check kit	1
13	3029969	1010154	O-ring EP	1
14		1232370	O-ring 1 x 1-3/8 x 3/16 (1" riser tube)	1
15		1031402	Multilingual language locking bar	1
16		1234170	Top plate screw no 8 x 9/16"	13
17		1001580	Spring, valve discs	9
18		3019870	Cover for 400 series valves	
21	1033067	3019871	Top plate 255 singlespring	1
22		1033066	New to old air check adapter	1
23		1001404	O-ring set	1
24		1040459	O-ring set	1
25		1001986	13/16 rubber insert (optional)	1
*		1000250	Standard/sev valve discs for 255	1
*		1239760	Blending Valve Kit 400 & 700 Series	1
		3019873	Lever, locking cam, 255	1