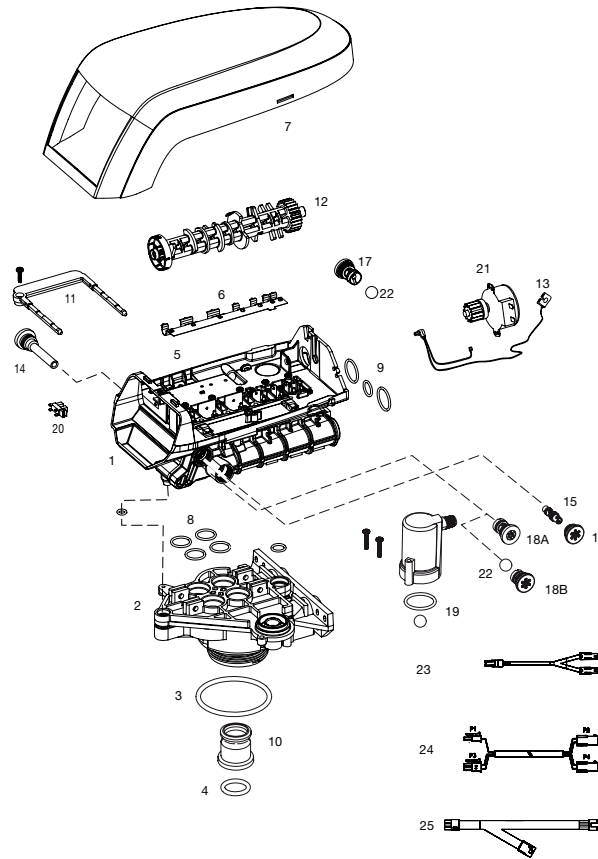


255 TWIN

SPARE PARTS

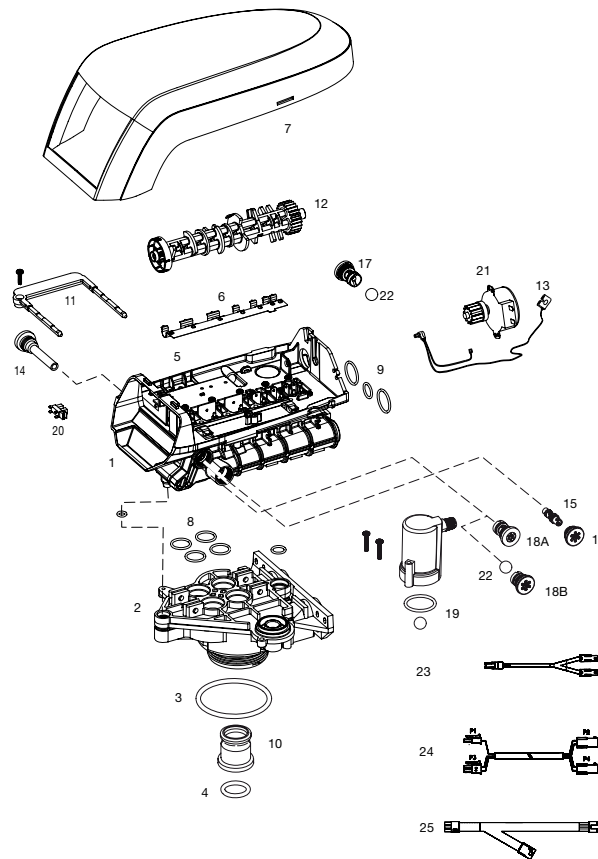


Logix controller

Item	Old part number	Reference	Description	Packing qty
1		1244650	255 valve assy, w/o flow controls	1
2		1033784	255 tank adapter new style	1
3	3029969	1010154	O-ring EP	1
4	3030918	1232370	O-ring EP	1
5		1235340	Top plate, 255 valve, 700/860 series	1
6		1235341	Spring, one piece, 255 valve	1
7		1236246	Cover, valve, 255/Performa, 700/860	1
*		1267672	Slim line cover 255 /700/800	1
8		1001404	O-ring group: tank adapter	1
9		1040459	O-ring group: piping boss	1
10		1001986	13/16" rubber insert (optional)	1
*		1000250	Valve disk kit - standard / sev	1
*		1239760	Blending Valve Kit 400 & 700 Series	1
11			Locking bar:	
		1031402	Multilingual language locking bar	1
12			Camshaft options:	
		1235353	Cam 255/700-860 series std black for single systems L mode	1
		1236251	Cam 255/700-860 series Twin tan for Twin versions A + P mode	1
13 + 21	1235269	1238861	Motor + cable 700 series controller, 12V 50/60 Hz	1
14		1000226	Screen/cap assy w/ O-ring	1

255 TWIN

SPARE PARTS

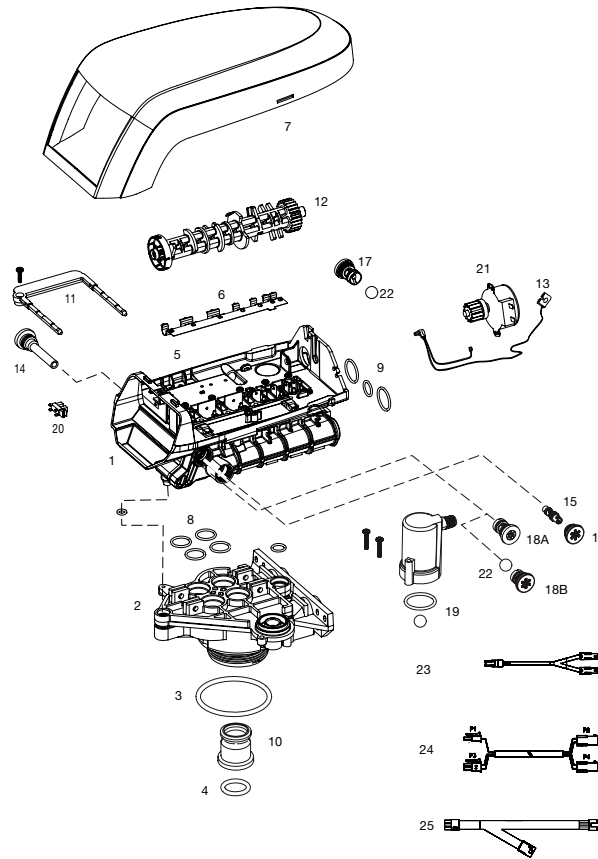


Logix controller

Item	Old part number	Reference	Description	Packing qty
15			Injector (high efficiency) options:	
		1035730	"E" injector (high efficiency) - yellow (6" dia. vessels)	1
		1035731	"F" injector (high efficiency) - peach (7" dia. vessels)	1
		1035732	"G" injector (high efficiency) - tan (8" dia. vessels)	1
		1035733	"H" injector (high efficiency) - Lt purple (9" dia. vessels)	1
		1035734	"J" injector (high efficiency) - Lt blue (10" dia. vessels)	1
		1035735	"K" injector (high efficiency) - pink (12" dia. vessels)	1
		1035736	"L" injector (high efficiency) - orange (13-14" dia. vessels)	1
16	1000269		Injector cap with O-ring	1
17			Drain control assy with O-ring:	
		1000208	No. 6	1
		1000209	No. 7 (1.2 gpm; 4.5 lpm)	1
		1000210	No. 8 (1.6 gpm; 6.1 lpm)	1
		1000211	No. 9 (2.0 gpm; 7.6 lpm)	1
		1000212	No. 10 (2.5 gpm; 9.5 lpm)	1
		1000213	No. 12 (3.5 gpm; 13.2 lpm)	1
		1000214	No. 13 (4.1 gpm; 15.5 lpm) no ball	1
		1000215	No. 14 (4.8 gpm; 18.2 lpm) no ball	1
18A	1243510		Regenerant refill controller	1
18B	1243511		Group refill controller 0,33 GPM w/ball	1

255 TWIN

SPARE PARTS



Logix controller

Item	Old part number	Reference	Description	Packing qty
19			Air check kit:	
		1032416	Air check kit 3/8" male	1
		1032417	Air check kit 1/4" male (std)	1
20		1235373	Module, sensor, photo interrupter	1
*	1233187	3029962	Motor locking pin (white)	1
22		1030502	Ball, flow control internal up to no 12 included	1
23		3016715	Y sensor cable connector Twin	2
24		3016775	Interconnecting cable Twin	2
25		3020228	Remote start/lockout cable I versions	1
*		1033066	New to old style air check adapter	1
*		1244336	Chlorine generator kit, 0.33 gpm (use only in L versions)	1
*		1235446	Turbine cable, Logix, short	1
*		1239711	Switch kit, front mount, 0.1 Amp	1
*		1239752	Switch kit, front mount, 5 Amp	1
*		1239753	Switch kit, top plate mount, 0.1 Amp	1
*		1239754	Switch kit, top plate mount, 5 Amp	1